

Anti-Restart Alternative

The University of Texas at Austin

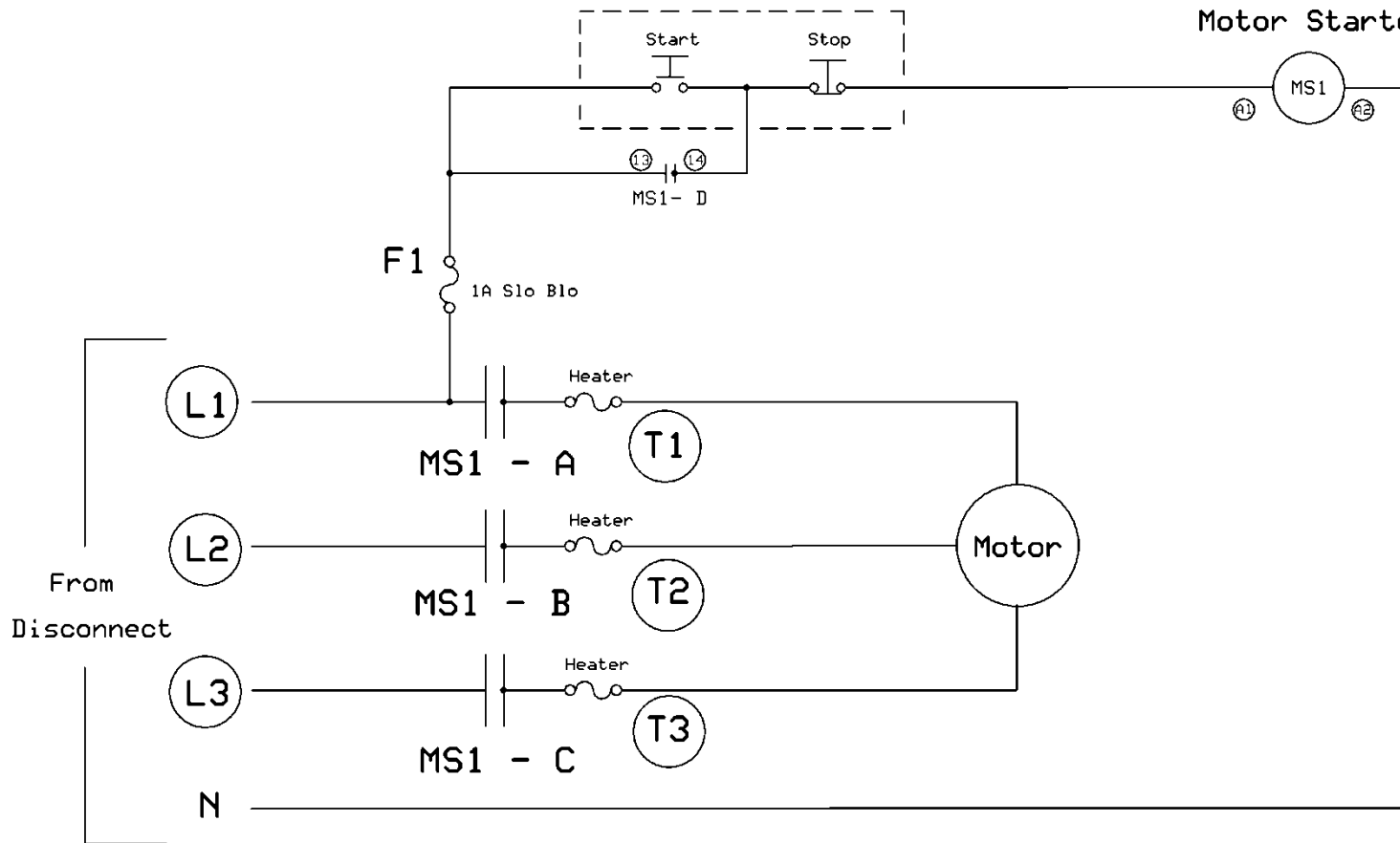
J Scott Allen

Mechanical Engineering Shop
Supervisor



Switch Box

Motor Starter



Notes:

- 1) Numbers in Circles are Motor Starter Terminal Numbers i.e. (A1)
- 2) F1 is recommended but optional.

UT Mechanical Engineering

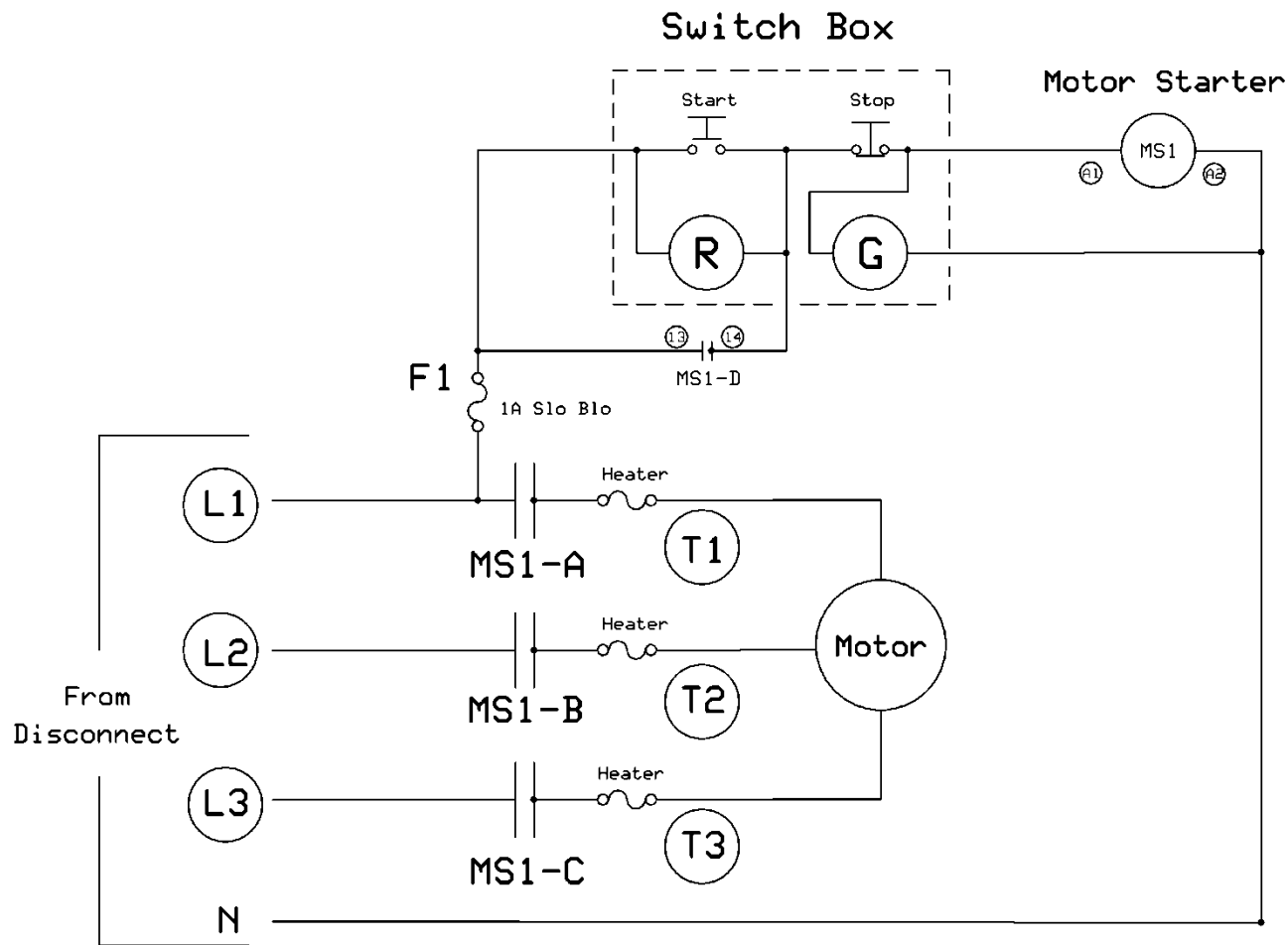
Simple Three Phase Restart Lockout

Mark E Phillips

Rev 1.0

09/09/2013

Page # 1 of 1



Notes:

- 1) F1 is recommended but optional
- 2) Numbers in Circles are Motor Starter Terminal Numbers i.e. (A1)
- 3) Green LED is part of the ON switch, Red LED is part of the OFF switch.
- 4) Green LED indicates Motor is Running.
- 5) Red LED indicates AC Supply is Present and Motor is Stopped.
- 6) If Red LED is illuminated but motor will not start,
Check Heaters or Overload.

UT Mechanical Engineering

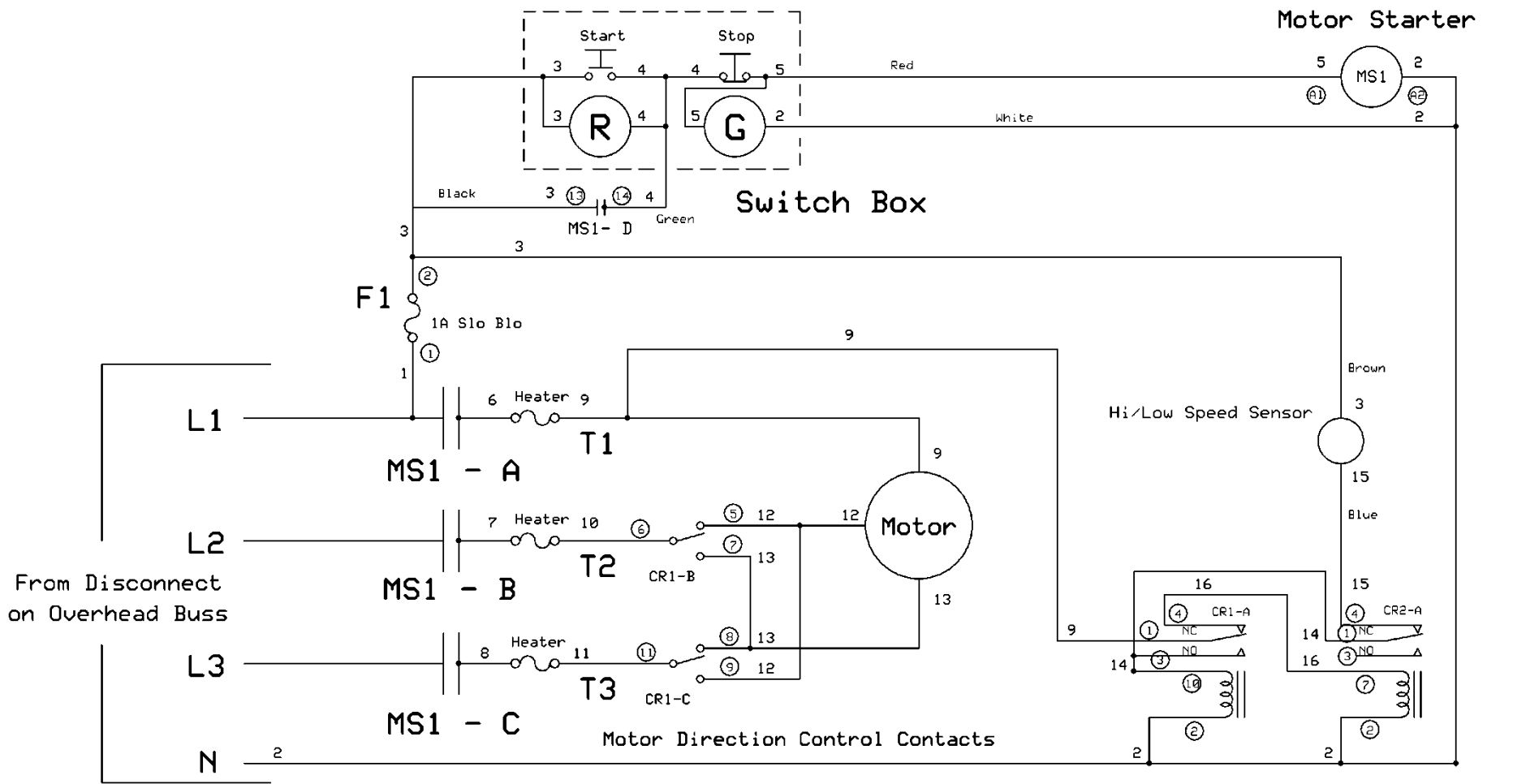
Three Phase Restart Lockout with Illumination

Mark E Phillips

Rev 1.0

09/09/2013

Page # 1 of 1



Notes:

- 1) Low Speed is the de-energized sensor state.
- 2) A High Speed Sensor State (active); thru the CR2 N.C. contact energizes CR1. CR1 is latched when T1 is energized, locking the motor direction.
- 3) A Low Speed Sensor State (de-active); T1, thru the CR1 N.C. contact, energizes CR2, disabling the Speed Sensor and locking the motor direction.
- 4) Numbers in Circles are Relay Terminal Numbers i.e. ①
- 5) Green LED is part of the ON switch, Red LED is part of the OFF switch.
- 6) Red LED indicates AC Supply is Present and Motor is Stopped
- 7) Green LED indicates Motor is Running.

UT Mechanical Engineering		
Student Mill Start/Stop and Direction Sense/Lock		
Mark E Phillips	Rev 1.0	Page # 1 of 1
	09/09/2013	

3 Phase Restart Lockout

Push Button

Part Number	Description by Allen Bradley	PLCCenter.com			Used	Notes
		Retail	Factory New	New Surplus		
Enclosure w/switches						
800S 2SA	integral switches, not oil tight	\$192.00	\$151.00	\$71.00	\$61.00	NEMA ICS 2-125
800T-2TA	With Switches Start/stop legend	\$296.00	\$196.00	\$59.00	\$44.00	NEMA 4/13
Switches						
800T-A1D1 (A)	N.O. Green Flush Head	\$52.00	\$34.00	\$21.00	\$18.00	NEMA 4/13
800T-D6D2 (A)	N.C. Red Mushroom	\$89.00	\$59.00	\$34.00	\$30.00	NEMA 4/13
800T PT16R	Red Illuminated Push w/ transformer	\$169.00	\$112.00	\$54.00	\$35.00	NEMA 4/13
800T PT16G	Green Illuminated Push w/ transformer	\$169.00	\$112.00	\$54.00	\$35.00	NEMA 4/13
Enclosures						
800T-2PY	2 button 30mm Pendant	\$225.00	\$149.00	\$73.00	\$62.00	NEMA 4/13
800H-2HZ4C	2 button 30mm Thermoplastic	\$42.00	\$29.00	\$20.00	\$18.00	NEMA 4/4X/13
800H-2HZ4Y	2 button 30mm Fiberglass	\$134.00	\$93.00	\$65.00	\$56.00	NEMA 4/4X/13
Contactors						
100-K09D10	2HP 3 ph w/N.O. aux 9 Amp	\$92.00	\$64.00	\$37.00	\$32.00	5hp at 400V
100-K12D10	3HP 3ph w/N.O. aux 12 Amp	\$110.00	\$77.00	\$42.00	\$37.00	7.5 HP at 400V
100 A09ND3	3HP 3ph w/N.O. aux	\$140.00	obsolete	\$70.00	\$40.00	
Motor Overload						
193-BSB80	Overload Relay 5.5-8 Amp	\$145.00	obsolete	\$80.00	\$73.00	
193-KB75	Overload Relay 5.5-7.5 Amp for K09	\$54.00	\$45.00	\$31.00	\$27.00	Ext Reset
193-KC10	overload Relay 7.2-10 Amp for K12	\$56.00	\$47.00	\$33.00	\$28.00	Ext Reset
Overload accy						
800FM-R611	Panel Mount Reset Button	\$17.00	\$12.00	\$9.00	\$7.00	
Wall Box NEMA 4X						
A1008LP	Hoffman JIC BOX Less Panel	\$129.00	\$92.00	\$65.00	\$56.00	A1008 x
Din Rail Fuse Holder						
	Weindmuller WSI 6/2 3AG 20A 600V	\$16.00	obsolete	\$5.00	\$3.00	

Questions???

